

Atera SIGNO

Opel Combo 01/2012–
(ohne Reling/without rail)

Fiat Doblo 02/2010–
(ohne Reling/without rail)

Atera SIGNO

Fiat

Doblo 02/2010–
(ohne Reling/without rail)

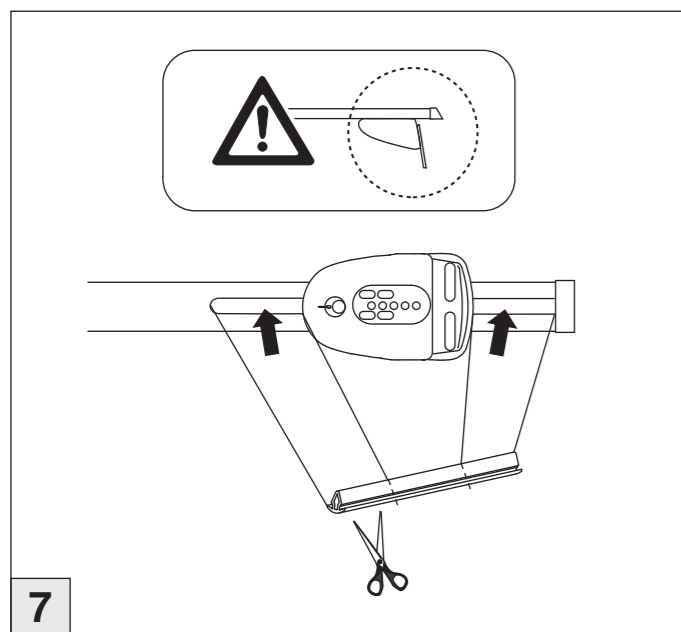
Opel

Combo 01/2012–09/2018
(ohne Reling/without rail)

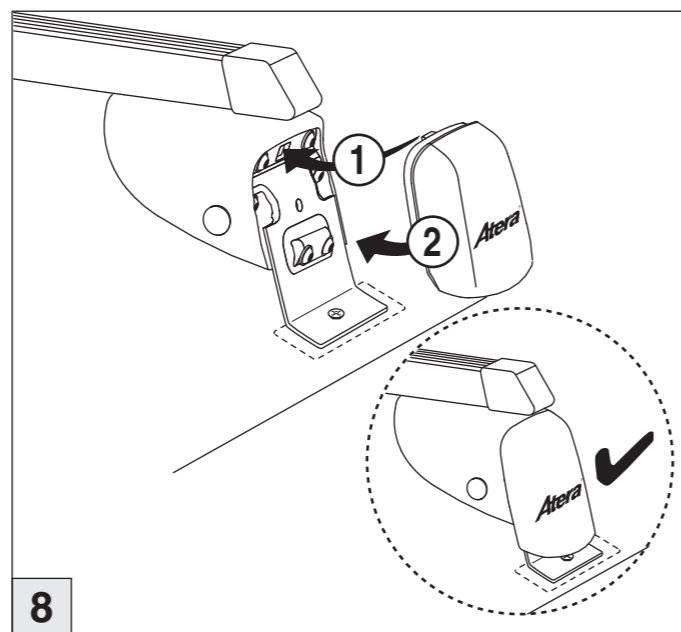
Zusatzbügel / additional carrier bow

Part-No. : 044 179

Part-No. : 045 179

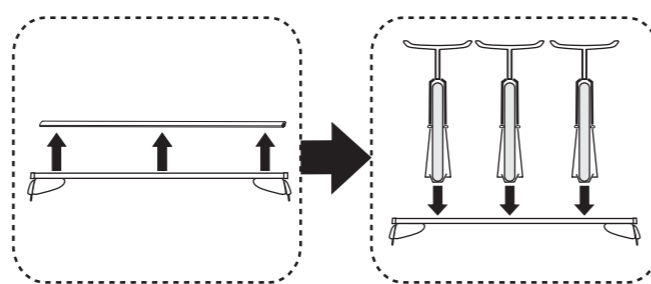
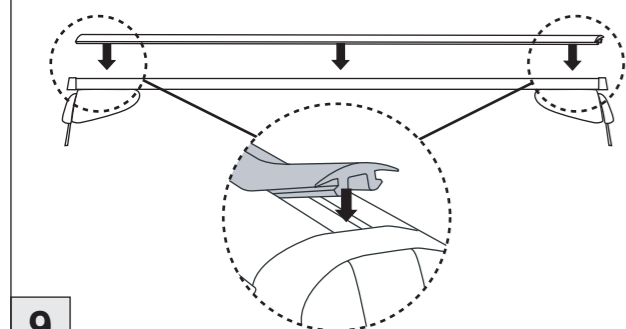


7

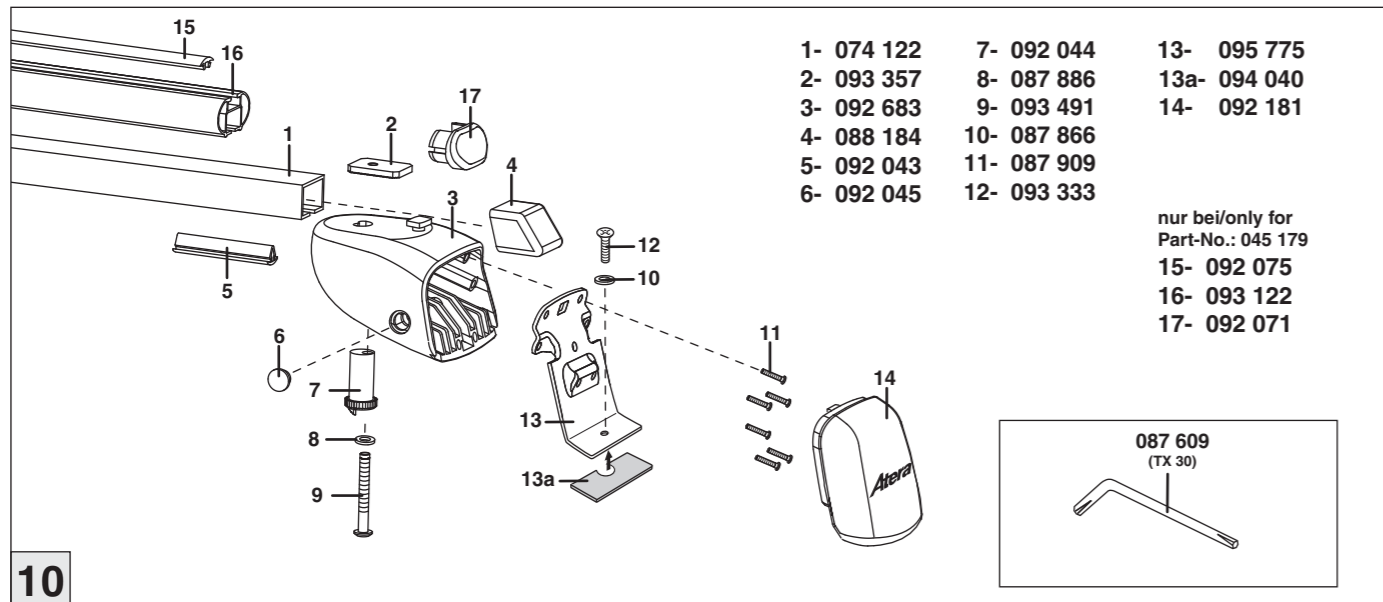


8

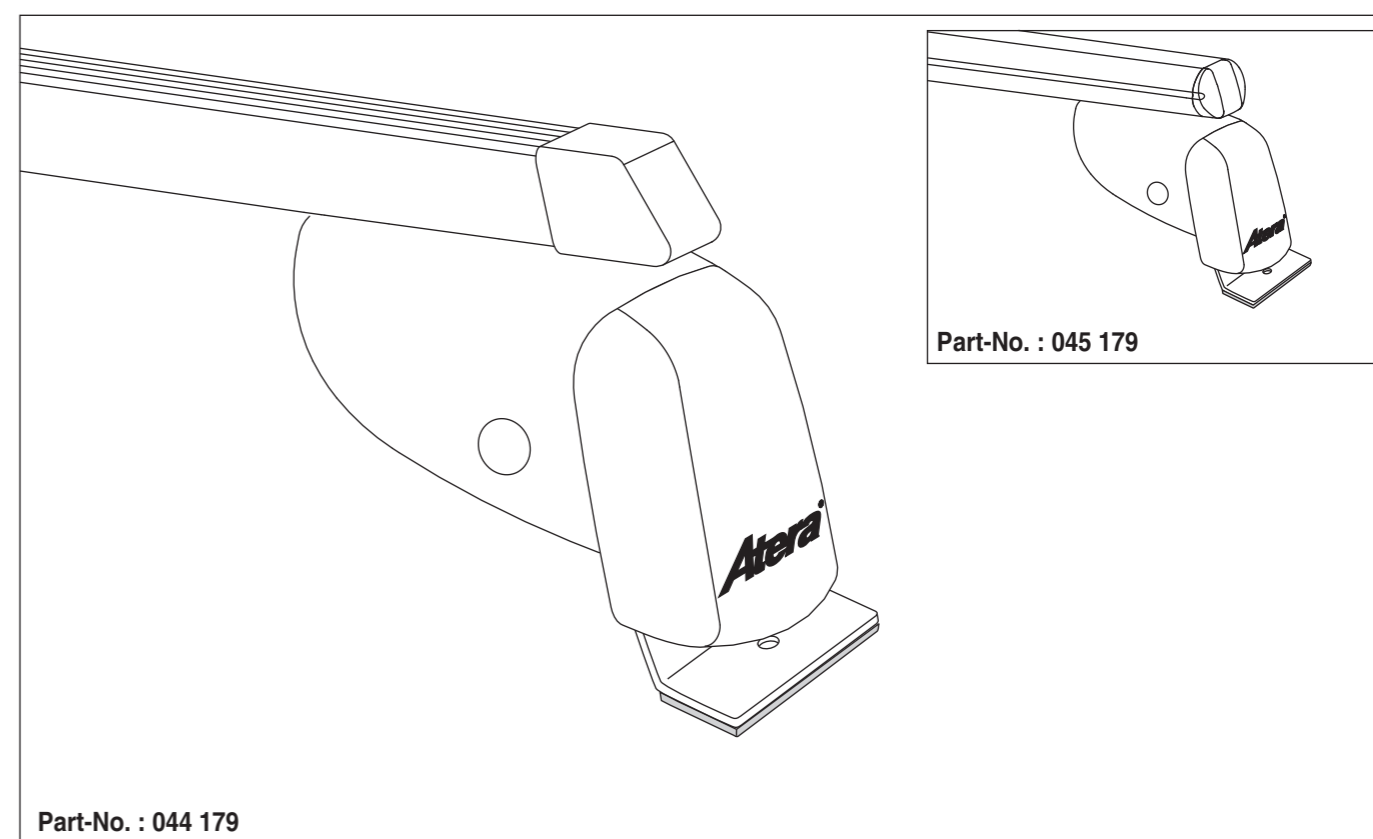
nur bei / only for Part-No.: 045 179



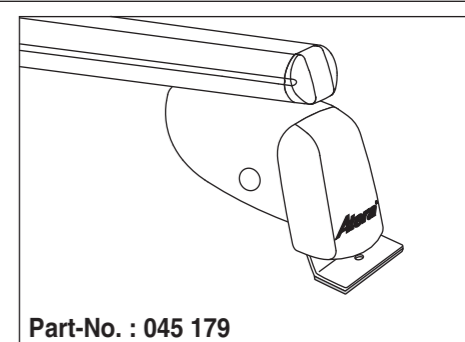
9



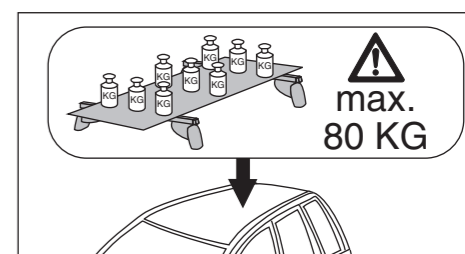
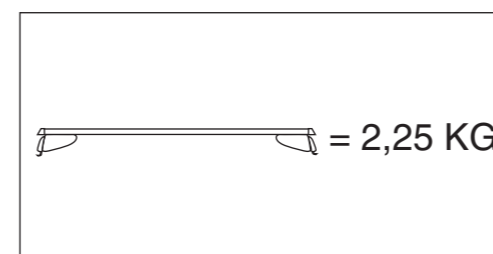
10



Part-No. : 044 179



Part-No. : 045 179



Atera
MADE IN GERMANY

Atera GmbH
Im Herrach 1
D-88299 Leutkirch
Internet: www.atera.de



Atera SIGNO

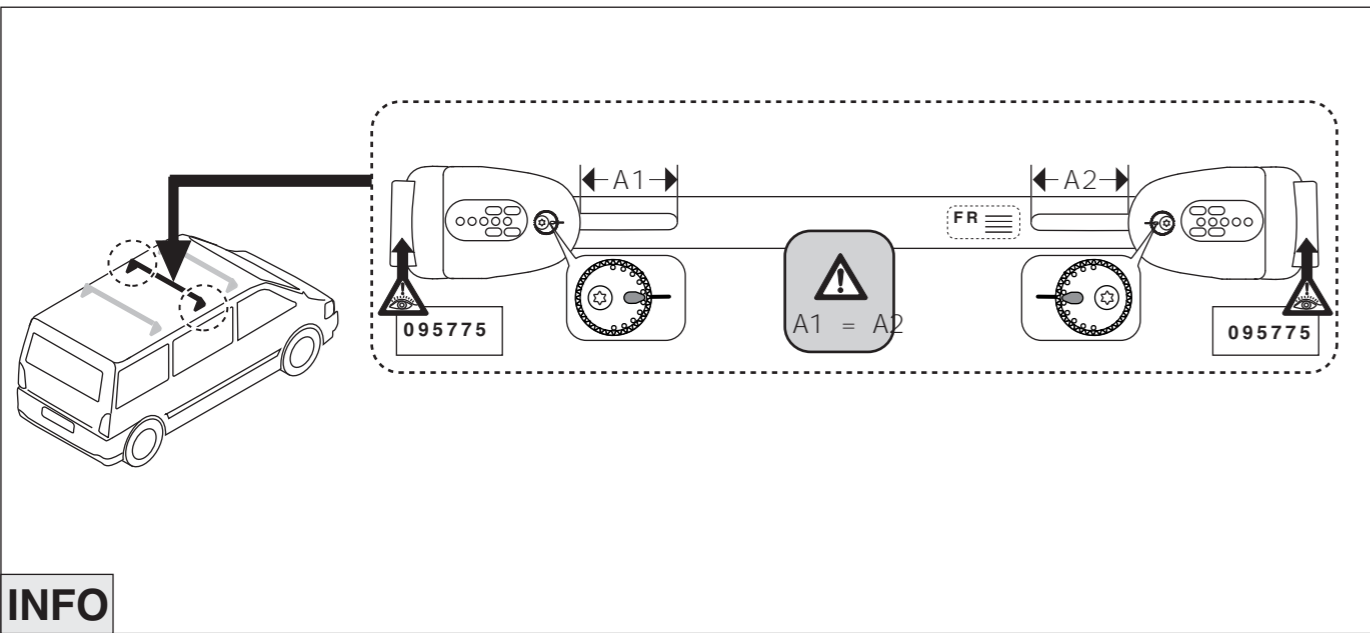
Opel Combo 01/2012–
(ohne Reling/without rail)

Fiat Doblo 02/2010–
(ohne Reling/without rail)

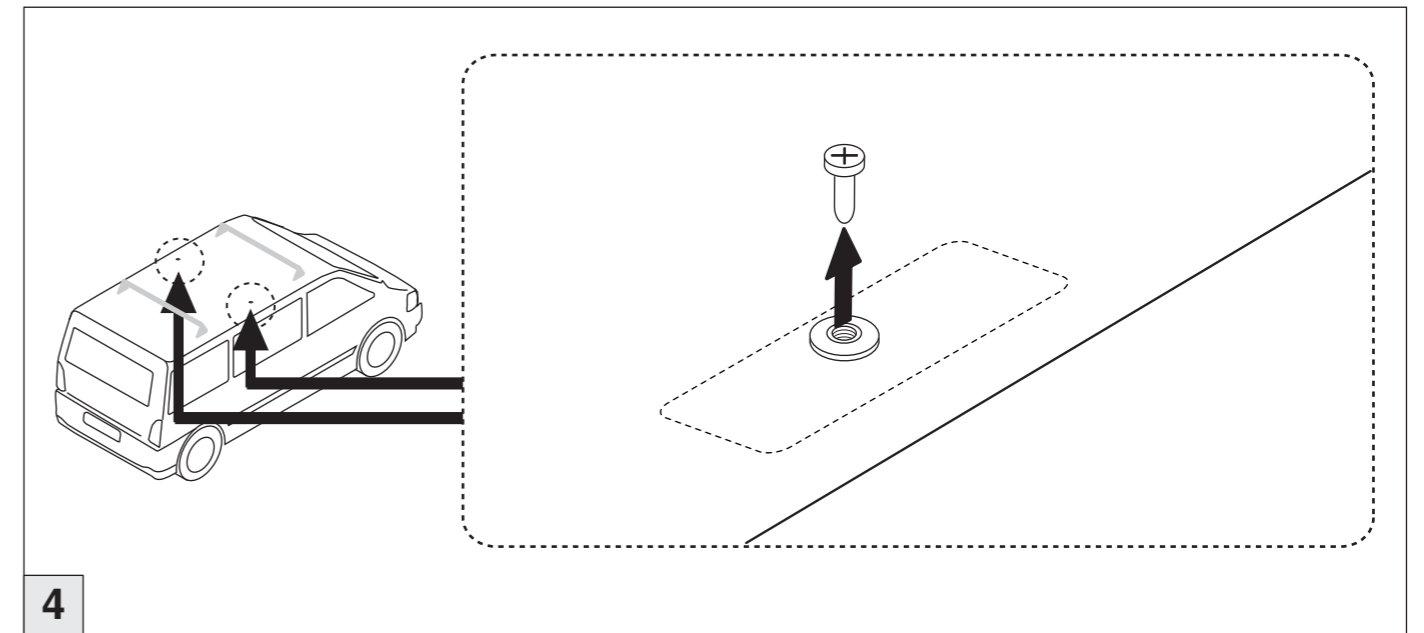
Atera SIGNO

Opel Combo 01/2012–
(ohne Reling/without rail)

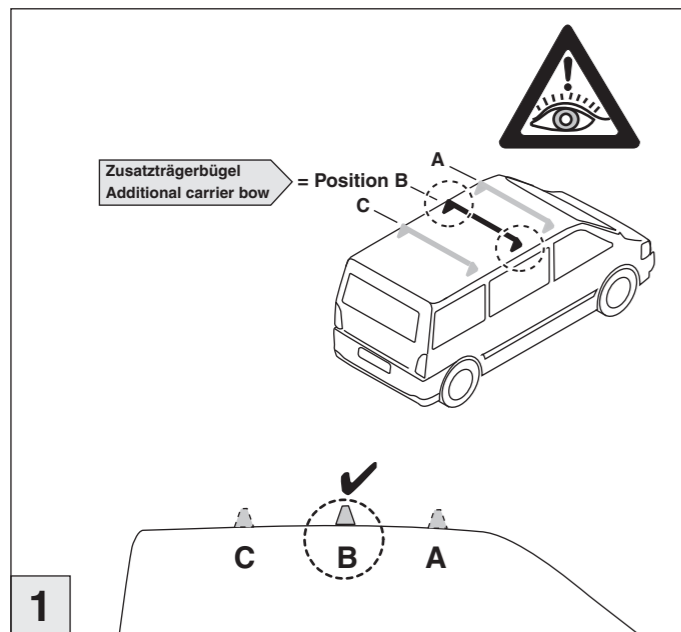
Fiat Doblo 02/2010–
(ohne Reling/without rail)



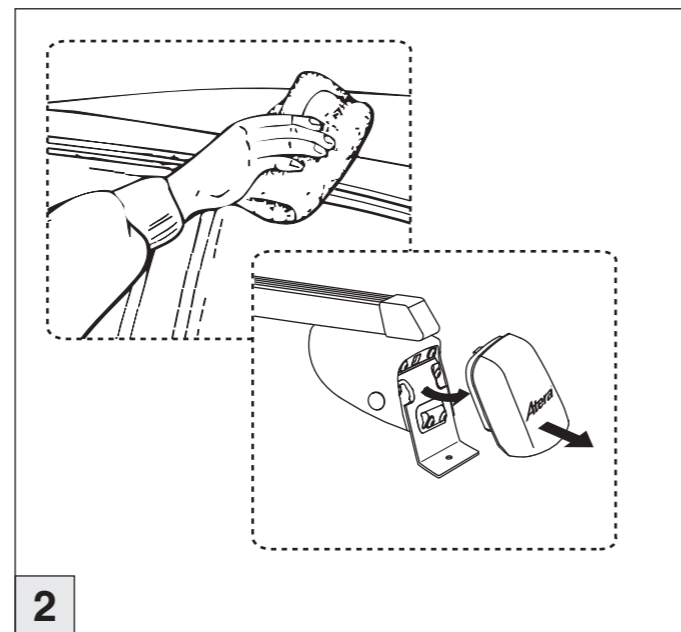
INFO



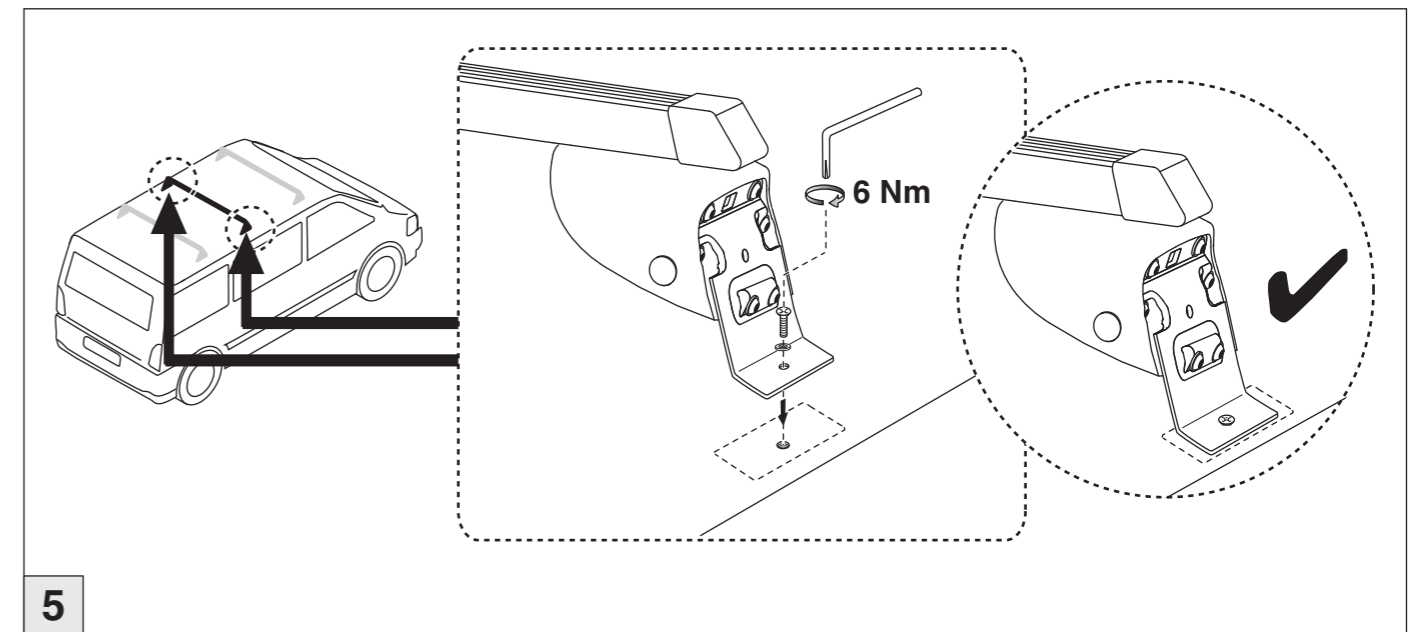
4



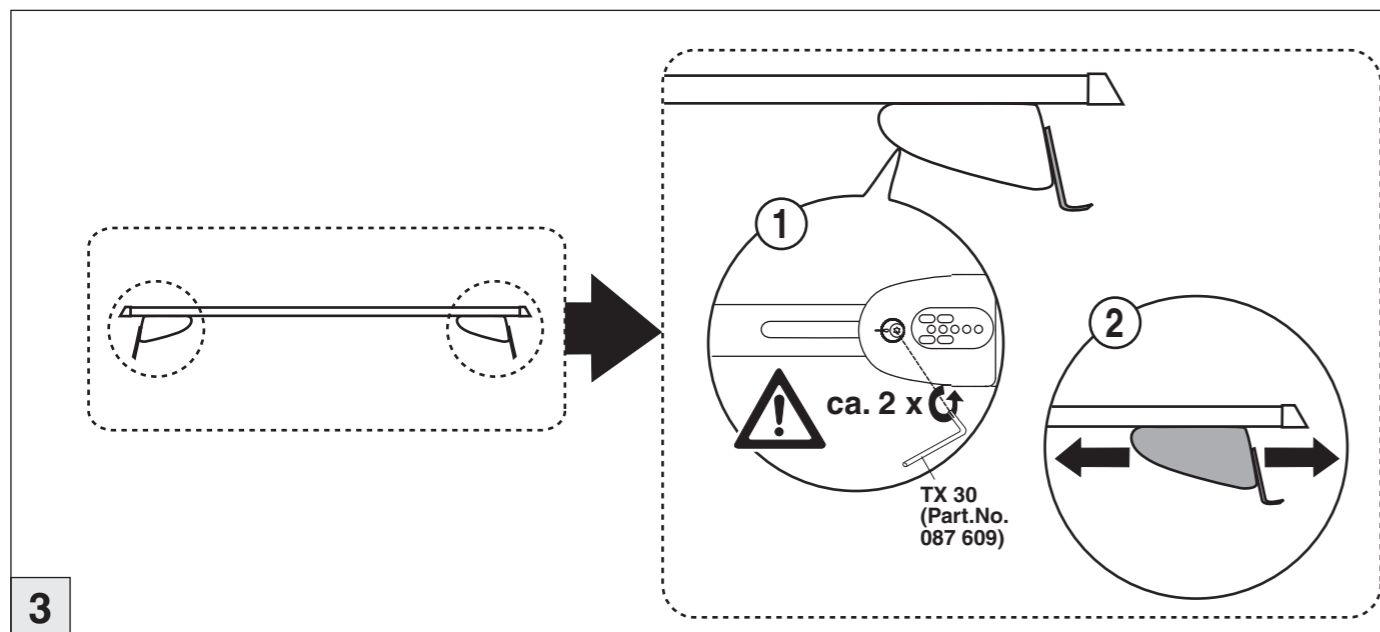
1



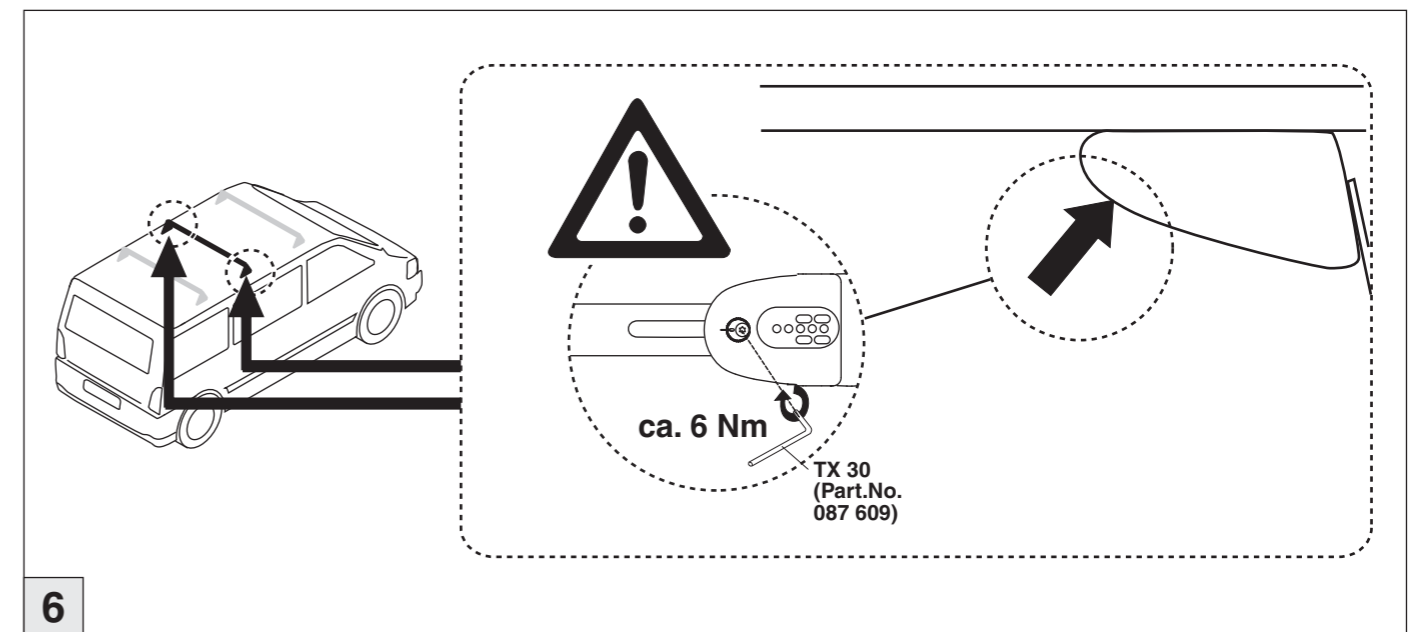
2



5



3



6